

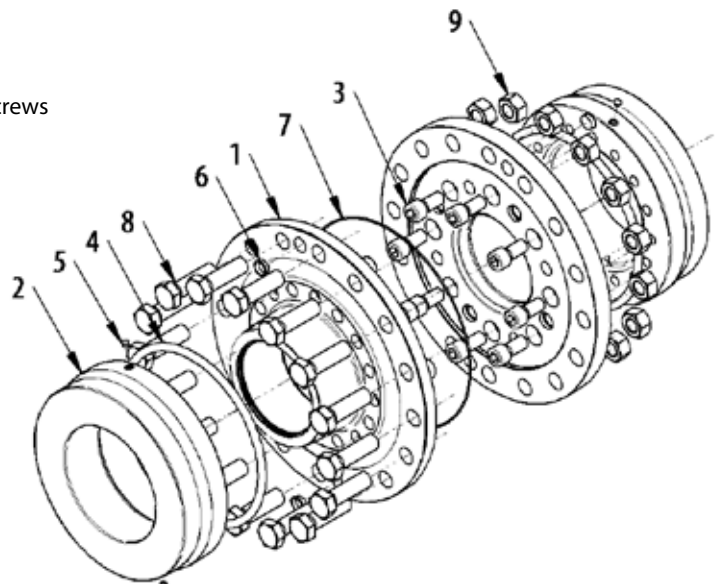
Rigid flange coupling FKE



Used Symbols

<i>FKE</i>		Nominal size
d_w	[mm]	Shaft diameters
Mt_{max}	[Nm]	Maximum transmittable torque
Mbs_{max}	[Nm]	Maximum transferable bending moment (static)
Mbd_{max}	[Nm]	Maximum transferable bending moment (dynamic)
D_s	[mm]	Outer diameter of pressure ring
Z	[Stk.]	Number of clamping screws
S		Screw size of clamping screws
M_A	[Nm]	Required tightening torque for clamping screws
A	[mm]	Pitch circle diameter of connecting screws
D	[mm]	Outer diameter of the flange coupling
D_z	[mm]	Diameter of the flange recess
L	[mm]	Width of the flange coupling
l	[mm]	Clamping length
g_{min}	[mm]	Minimum shaft distance
g_{max}	[mm]	Maximum shaft distance
b	[mm]	Thickness of flanges
z	[mm]	Depth of the recess
Z_F	[Stk.]	Number of connecting screws
S_F		Screw size of connecting screws
M_{AF}	[mm]	Required tightening torque of connecting screws
n_{max}	[min ⁻¹]	Allowed rotation frequency
I	[kgm ²]	Moment of inertia
m	[kg]	Mass of the complete coupling
ph	[bar]	Hydraulic pressure for opt. Clamping tool

Pos.	Designation
1	Flange
2	Pressure ring
3	Clamping screws
4	Seal
5	Plug
6	Plug
7	O-Ring
8	Connecting screws
9	Nut



Rigid flange coupling FKE

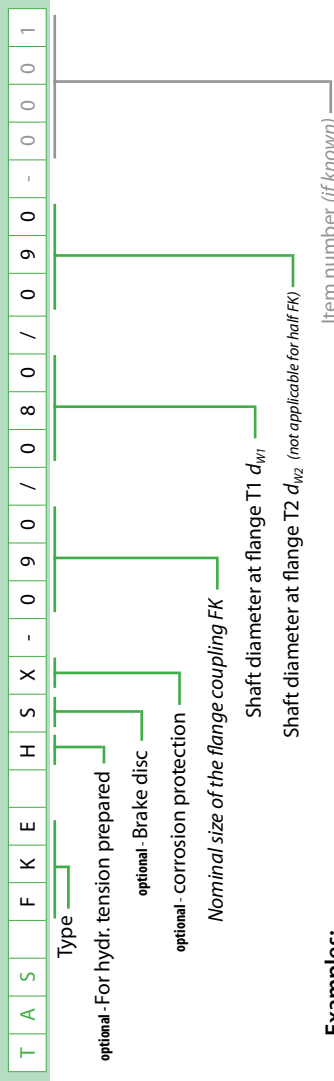
Size FKE (mm)	Shaft d _W (mm)	Moment		Bend stat.		Bend dyn.		Pressure ring		Details coupling										Flange screws			Further details			Clamping tool
		M _T (Nm)	M _T max (Nm)	M _{BS} (Nm)	M _{BS} max (Nm)	M _{BS} (Nm)	M _{BS} max (Nm)	D _S (mm)	Z	S	M _A (Nm)	A (mm)	D (mm)	Dz (mm)	L (mm)	l (mm)	g _{min} (mm)	g _{max} (mm)	b (mm)	z (mm)	Z _r (pcs)	ϕ _r (mm)	M _W (Nm)	n _{max} (min ⁻¹)	I [*] (kgm ²)	m [*] (kg)
50	40	1030	412	309		118	6	M8x25	22	170	200	125	111	35	1	27	29	4	6	M12x45	85	3237	0,047	11,5	-	
	50	2100	840	630		134	8	M8x30	21	190	220	145	123	37	1	33	34	4	6	M16x55	210	2851	0,085	16	-	
60	50	1900	760	570		158	8	M10x30	40	210	240	170	147	46	1	37	34	4	6	M16x55	210	2418	0,14	22,5	-	
	60	3200	1280	690		200	8	M12x40	75	265	305	215	174	56	2	42	42	5	6	M20x70	420	1910	0,44	44,5	-	
75	65	4800	1920	1440		214	9	M12x40	80	286	340	230	188	60	2	46	44	5	5	M24x80	720	1785	0,67	56	-	
	75	7300	2920	2190		276	8	M16x50	200	356	400	300	220	71	2	52	54	5	8	M24x90	720	1384	1,7	105	-	
90	80	9800	3920	2490		284	8	M16x50	200	356	400	300	220	71	2	52	54	5	8	M24x90	720	1345	1,75	105	-	
	90	13100	5240	3930		320	8	M20x50	400	475	540	350	264	84	2	66	64	6	10	M30 x 100	1450	1194	4,2	175	235	
100	90	13500	5400	4050		345	8	M24x50	530	440	510	370	296	100	2	66	64	6	14	M30 x 100	1450	1107	5,6	205	230	
	100	17900	7160	5370		390	8	M24x50	690	475	540	405	312	108	2	66	64	6	16	M30 x 100	1450	979	8	260	240	
120	110	28700	11480	8610		415	8	M27x60	800	500	560	430	350	123	2	70	72	8	16	M30 x 110	1450	920	10,7	315	245	
	120	38700	15480	11610		445	8	M27x60	860	530	590	460	372	135	2	70	72	8	18	M30 x 110	1450	858	14	370	240	
130	130	42600	17040	12780		467	9	M27x60	870	555	615	485	394	145	2	74	72	8	20	M30 x 110	1550	818	17,5	420	235	
	130	57500	23000	17250		548	9	M33x65	1720	640	710	570	434	153	2	92	86	8	24	M30 x 130	1550	697	36,5	660	240	
150	130	80000	32000	24000		560	9	M33x65	1720	660	720	590	444	158	2	92	86	8	24	M30 x 130	1550	682	39	660	225	
	150	80000	32000	24000		615	9	M36x80	2300	735	805	660	482	170	2	102	92	8	28	M30 x 130	1550	621	63,5	890	240	
165	135	64000	25600	19200																						
	165	103000	41200	30900																						
180	150	93000	37200	27900																						
	180	144000	57600	43200																						
200	170	129000	51600	38700																						
	200	190000	76000	57000																						
220	180	156000	62400	46800																						
	220	250000	100000	75000																						
240	200	205000	82000	61500																						
	240	315000	126000	90000																						
260	220	297000	118800	71400																						
	260	435000	174000	130500																						
290	240	336000	134400	100800																						
	290	519000	207600	155700																						
310	260	462000	184800	138600																						
	310	697000	278800	178000																						

Rigid flange coupling FKE

Size FKE (mm)	Shaft		Moment		Bend stat.		Bend dyn.		Pressure ring		Details coupling							Flange screws		Further details		Clamping tool	
	d _W (mm)	M _T max (Nm)	M _{bs} (Nm)	M _{bd} max (Nm)	Z (pcs)	S (mm)	M _A (Nm)	A (mm)	D (mm)	Dz (mm)	L (mm)	l (mm)	g _{min} (mm)	g _{max} (mm)	b (mm)	z (mm)	Z (pcs)	Σ _i	M _W (Nm)	n _{max} (mm ²)	I* (kgm ²)	m* (kg)	ph (bar)
340	290	600000	240000	180000	10	M36x80	2300	770	835	690	530	187	2	112	98	10	30	M30 x 130	1550	593	80,5	1020	230
	340	862000	344800	220000	12	M36x80	2300	845	920	770	554	194	2	122	118	10	35	M30 x 130	1550	546	118	1250	235
380	310	757000	302800	227100	12	M42x110	2700	940	1030	850	616	210	4	144	124	12	32	M36 x 180	2500	497	206	1730	240
	380	1198000	479200	255000	14	M42x110	3000	1000	1100	900	694	245	4	154	128	14	36	M36 x 180	2500	461	302	2250	240
410	350	980000	392000	294000	16	M42x110	3050	1080	1180	980	742	267	4	154	130	14	40	M36 x 180	2500	424	439	2860	235
	410	1430000	572000	340000	16	M42x110	3100	1110	1210	1020	742	267	4	154	130	14	42	M36 x 180	2500	409	496	3000	235
440	380	1410000	564000	423000	16	M42x110	3050	1080	1180	980	742	267	4	154	130	14	40	M36 x 180	2500	424	439	2860	235
	440	1960000	784000	460000	16	M42x110	3100	1110	1210	1020	742	267	4	154	130	14	42	M36 x 180	2500	409	496	3000	235
470	410	1680000	672000	504000	16	M42x110	3050	1080	1180	980	742	267	4	154	130	14	40	M36 x 180	2500	424	439	2860	235
	470	2300000	920000	690000	16	M42x110	3100	1110	1210	1020	742	267	4	154	130	14	42	M36 x 180	2500	409	496	3000	235
500	440	1860000	744000	558000	16	M42x110	3100	1110	1210	1020	742	267	4	154	130	14	42	M36 x 180	2500	409	496	3000	235
	500	2500000	1000000	750000	16	M42x110	3100	1110	1210	1020	742	267	4	154	130	14	42	M36 x 180	2500	409	496	3000	235

* related to nominal size

How to order (product identification)



Examples:

- TAS FKE-090/085/095
 - TAS FKE H-090/085/095
 - TAS FKE S-090/085/095
 - TAS FKE X-090/085/095
 - TAS FKE HX-090/085/095
- Flange coupling in nominal size FKE = 090 / d_{W1} = Ø85 / d_{W2} = Ø95
 Flange coupling with preparation for hydraulic clamping tool in nominal size FKE = 090 / d_{W1} = Ø85 / d_{W2} = Ø95
 Flange coupling with brake disc in nominal size FKE = 090 / d_{W1} = Ø85 / d_{W2} = Ø95
 Flange coupling with extended corrosive protection in nominal size FKE = 090 / d_{W1} = Ø85 / d_{W2} = Ø95
 Flange coupling with preparation for hydraulic clamping tool with extended corrosive protection in nominal size FKE = 090 / d_{W1} = Ø85 / d_{W2} = Ø95

Additional options can be combined as required